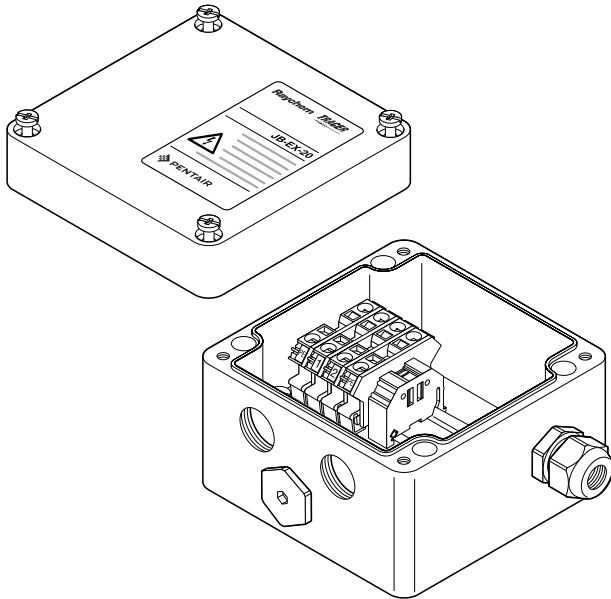


Raychem JB-EX-20 AND JB-EX-20-EP

MULTI PURPOSE JUNCTION BOX



Industrial junction box for use in hazardous areas with FMT, FHT, PI and MI heating cables. This box can be used to make connections between power cables, heating cables and cold lead cables. Depending on the configuration of the system, the box can accommodate heating cables, cold leads and a power cable. M20 connection kits have to be ordered separately depending on the type of heating cable being used.

Cable connection is via DIN rail mounted Spring-type terminals to provide fast installation and safe, reliable, maintenance-free operation.

The box can be either wall or pipe mounted via the four holes moulded in the base of the box. For pipe mounting, use one of the standard support brackets.

TYPICAL USE

JB-EX-20

JB-EX-20-EP

Power supply box for series heating cables (PI & MI) and constant wattage parallel heating cables (FMT & FHT) or end box (star) for series heating cables (PI & MI), when using M20 connection kits

ENTRIES

3 x M20
1 x M25

3 x M20
1 x M25

KIT CONTENTS

Junction box with spring-type terminals on DIN rail

Junction box with spring-type terminals on DIN rail, earthing plate and an external earth stud


1 x M20 stopping plug
2 x M20 rain plugs (temporary)
1 x M25 Hazardous area approved cable gland for power cables with Ø of 8 to 17 mm
1 x terminal jumper allowing various wiring configurations (remove terminal plate)

1 x M20 stopping plug
2 x M20 rain plugs (temporary)
1 x M25 rain plug (temporary)

APPROVALS

PTB 00 ATEX 1002

 II 2G Ex edm ia [ia] IIC T6, T5 and T4

 II 2D Ex tD A21 IP66 T85°C, T100°C and T135°C

IECEX PTB 08.0004

Ex e ia II, IIC T6, T5, T4

Ex tD A21 IP66 T 85°C, T 100°C, T 135°C



TC RU C-BE.MIO62.B.02853
1Ex e d m ia [ia] IIC T6...T4

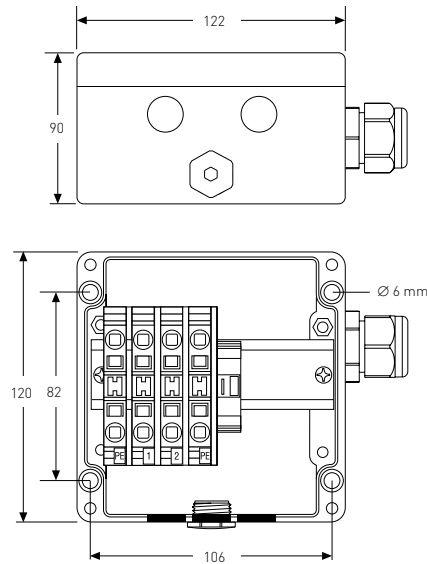
JB-EX-20 AND JB-EX-20-EP

MATERIALS OF CONSTRUCTION

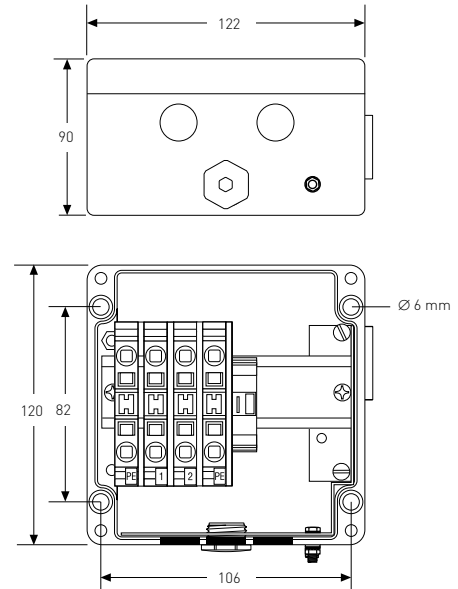
Box & lid	Electrostatic charge-resistant glass-filled engineered polymer, black	Electrostatic charge-resistant glass-filled engineered polymer, black
Sealing gasket	Silicone rubber	Silicone rubber
Lid fixing screws	Stainless steel (captive)	Stainless steel (captive)
Earthing plate	N.A.	Steel, zinc plated and blue chromated

DIMENSIONS (IN MM)

JB-EX-20



JB-EX-20-EP



INGRESS PROTECTION

IP66

IP66

AMBIENT TEMPERATURE RANGE

-55°C to +55°C

-55°C to +55°C

TERMINALS

Quantity	4 pcs, spring-type	4 pcs, spring-type
Labeling	1, 2 + 2 x PE	1, 2 + 2 x PE
Maximum conductor size	10 mm ² (solid & stranded)	10 mm ² (solid & stranded)
Maximum operating voltage	590 Vac	590 Vac
Maximum operating current	53 A	53 A

ACCESSORIES (TO BE ORDERED SEPARATELY)

Support bracket	SB-100, SB-101, SB-110, SB-111	SB-100, SB-101, SB-110, SB-111
Power cable gland	GL-36-M25 (included)	GL-38-M25-METAL (optional)
Loose terminals (*)	Phase/neutral terminal: Earth terminal: End plate: Terminal jumper:	HWA-WAGO-PHASE HWA-WAGO-EARTH HWA-WAGO-ENDPLATE HWA-WAGO-JUMPER
Connection kit for FMT and FHT heating cables	C20-01-F hot applied connection kit with plastic gland	C20-02-F cold applied connection kit with metal gland
Insulation entry kit for FMT and FHT heating cables	IEK-25-04 or IEK-25-PIPE	IEK-25-04 or IEK-25-PIPE
Gland for PI cold leads	GL-44-M20-KIT hazardous area approved gland	GL-44-M20-KIT hazardous area approved gland
Insulation entry kit for PI cold leads	IEK-20-PI	IEK-20-PI
Gland for MI cold leads	Contact Pentair or refer to DOC-606	Contact Pentair or refer to DOC-606
Stopping plug	HWA-PLUG-M20-EXE-PLASTIC	HWA-PLUG-M20-EXE-PLASTIC

ORDERING DETAILS

Order reference	JB-EX-20	JB-EX-20-EP
Part number (Weight)	1244-000590 (0.9 kg)	1244-006384 (1 kg)

(*) in total no more than 6 terminals of this type should be installed.



WWW.PENTAIRTHERMAL.COM

EUROPE, MIDDLE EAST, AFRICA

Tel: +32.16.213.511
Fax: +32.16.213.603
thermal.info@pentair.com

UNITED KINGDOM

Tel: 0800 969 013
Fax: 0800 968 6241
salesthermaluk@pentair.com

IRELAND

Tel: 1800 654 241
Fax: 1800 654 240
salesie@pentair.com

Pentair is owned by Pentair or its global affiliates. All other trademarks are the property of their respective owners. Pentair reserves the right to change specifications without prior notice.

© 1998-2016 Pentair.