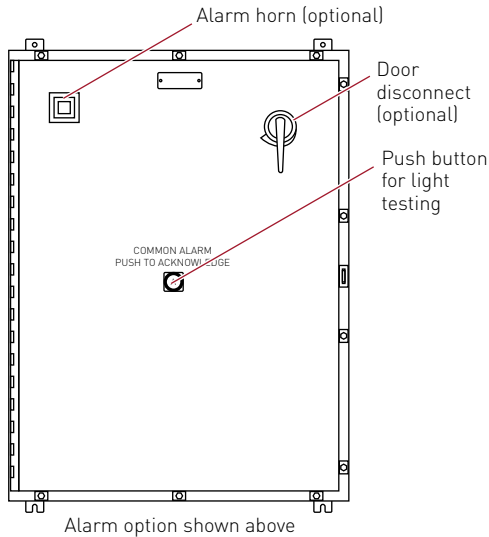


Raychem HTPI

HEAT-TRACING POWER DISTRIBUTION PANEL FOR INDIVIDUAL CONTROL

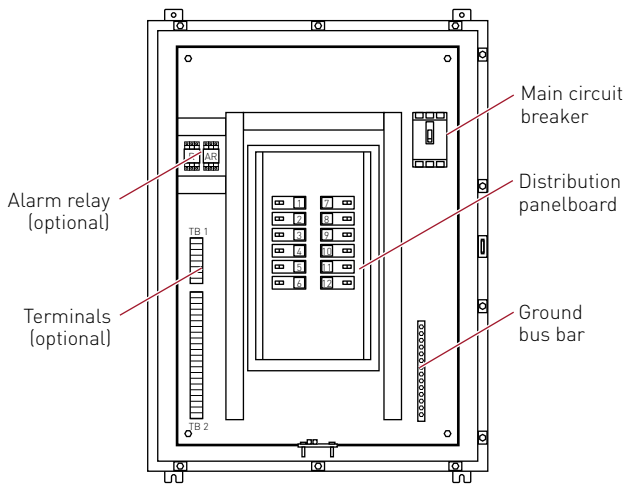
Ground-fault protection, monitoring, and optional alarm panel



PRODUCT OVERVIEW

The Raychem HTPI is a dedicated power distribution, monitoring, and alarm panel for heat-tracing applications. It is intended for applications requiring tight band temperature maintenance with individual line-sensing control. The wall-mounted enclosure contains an assembled circuit-breaker panelboard.

Panels can be equipped with standard circuit breakers without alarms, ground-fault breakers, or ground-fault breakers with alarms.



LOAD POWER

120 / 208 / 240 / 277 Vac

AMBIENT OPERATING TEMPERATURE

32°F (0°C) to 122°F (50°C) (without space heater option)

FIELD WIRE SIZE

14–8 AWG (15–30 Amp C.B.), 8–4 AWG (40–50 Amp C.B.)

CIRCUIT BREAKER TYPES*

Ground-fault breaker

Square D types QOB-EPD, EHB-EPD

Standard circuit breaker

Square D type QOB

* To comply with NEC Article 427-55(a), circuit breakers are equipped with the means for lockout in the "Off" position.

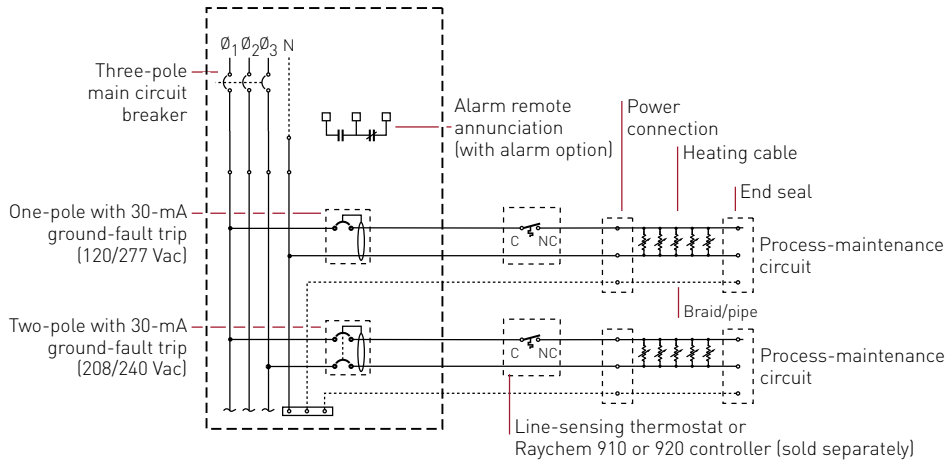
CIRCUIT BREAKER AMPERAGE RATING

120 Vac	20 A, 30 A, 40 A*, 50 A*	* Overcurrent C.B. only
208 / 240 / 277 Vac	20 A, 30 A, 40 A, 50 A	

APPROVALS



HTPI TYPICAL PROCESS MAINTENANCE APPLICATION SCHEMATIC



HTPI CATALOG NUMBER

HTPI comes in a variety of configurations. The following chart outlines the elements that constitute a configuration and the corresponding catalog number.

HTPI - Voltage - Panelboard - C.B. type - # of C.B./# of poles (rating) - Enclosure - MCB - Options

HTPI - 277/480 - 30 - 2 - 10/1P (20) - 4X - 200 - H

Voltage	120/208				120/240*		277/480	
Panelboard size	18 = 18 space panelboard 30 = 30 space panelboard 42 = 42 space panelboard 54 = 54 space panelboard (277 V only)							
Circuit breaker type	1 = Overcurrent circuit breakers** 2 = GFCB (30-mA trip) without alarm 3 = GFCB (30-mA trip) with bell alarm 4 = GFCB (30-mA trip) with relay alarm (includes terminal block option). Not available for 277 V							
Number of circuit breakers/number of poles (circuit breaker rating) see prior page	# of breakers (no bell alarm option)							
	120 V (1P)	208 V (2P)	240 V (2P)	277 V (1P)	277 V** (std. C.B.) (1P)			
18	[1-18]	[1-8]	[1-8]	[1-7]	[1-17]			
30	[1-29]	[1-14]	[1-14]	[1-13]	[1-29]			
42	[1-41]	[1-20]	[1-20]	[1-19]	[1-41]			
54	-	-	-	[1-25]	-			
	# of breakers (bell alarm option)							
	120 V (1P)	208 V (2P)	240 V (2P)	277 V (1P)				
18	[1-8]	[1-6]	[1-8]	[1-7]				
30	[1-14]	[1-9]	[1-9]	[1-13]				
42	[1-20]	[1-13]	[1-13]	[1-19]				
54	-	-	-	[1-25]				

Option	0 = None A = Alarm horn (requires C.B. type 3 or 4) B = Alarm beacon (requires C.B. type 3 or 4) D = Door disconnect E = Environmental purge (NEMA 4 or 4X enclosures only) G = Panel power-on light H = Space heater and thermostat L = Individual circuit breaker trip indication lights (requires C.B. type 4) T = Terminal blocks (prewired) Z = Z-purge system (NEMA 4 or 4X enclosures only) SP = Special requirement: Must contain complete description of variance		
MCB	Main circuit breaker size or MLO for no main breaker		
Panelboard size	120/208	120/240	277/480
18	50, 100	50, 100	30, 50, 70, 125
30	50, 100, 150, 200, 225	50, 60, 80, 150, 175, 200, 225	50, 70, 125, 175, 225
42	50, 100, 150, 200, 225	50, 60, 80, 150, 175, 200, 225	50, 70, 125, 175, 225
54	-	-	50, 70, 125, 175, 225
Enclosure	1 = NEMA 1 (indoors) 12 = NEMA 12 (indoors) 4 = NEMA 4 (outdoors) 4X = NEMA 4X (stainless steel-outdoors)		

* Single phase
** Overcurrent circuit breakers require ground-fault protection from controller



WWW.PENTAIRTHERMAL.COM

NORTH AMERICA

Tel: +1.800.545.6258
Fax: +1.800.527.5703
Tel: +1.650.216.1526
Fax: +1.650.474.7711
thermal.info@pentair.com

EUROPE, MIDDLE EAST, AFRICA

Tel: +32.16.213.511
Fax: +32.16.213.603
thermal.info@pentair.com

ASIA PACIFIC

Tel: +86.21.2412.1688
Fax: +86.21.5426.2937
cn.thermal.info@pentair.com

LATIN AMERICA

Tel.: +1.713.868.4800
Fax: +1.713.868.2333
thermal.info@pentair.com

Pentair is owned by Pentair or its global affiliates. All other trademarks are the property of their respective owners. Pentair reserves the right to change specifications without prior notice.

© 1997-2015 Pentair.